



Sealing Solutions: Steel Lined Gaskets

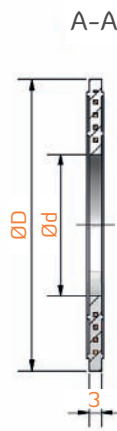
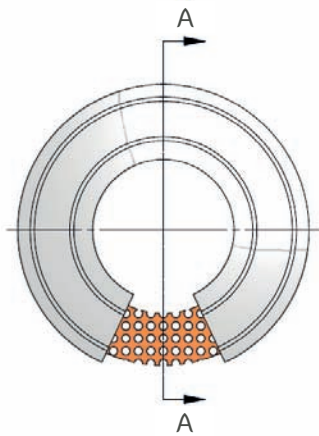
Vanéflon's PTFE steel lined gaskets are available in standard sizes and as custom parts made to your specifications. Our self-lubricating gaskets are **resistant to most chemicals**, feature low permeability and low water absorption. They are blow-out proof and conform to TA-Luft VDI-2200 and 2400. Vanéflon's manufacturing experience allows for a large choice of sizes, temperature and pressure ranges. Vanéflon — High Performance Plastics. High Performance Solutions.



- Virgin PTFE + stainless steel insert.
- Prime raw materials
- Self lubricating and inert to most chemicals
- Available in custom and standard DIN/ASA executions.
- Low permeability and water absorption
- Blow-out proof and conform to TA-Luft VDI-2200 and 2400.
- Pressure resistant up to 100 bar
- Temperature range: -200°C / +250°C

PTFE | TFM® | PFA | PCTFE | FEP | ETFE
PEEK | PPS | PI (Vespel®) | PEI | PEKK
PVDF | PA | POM | PP | UHMPE



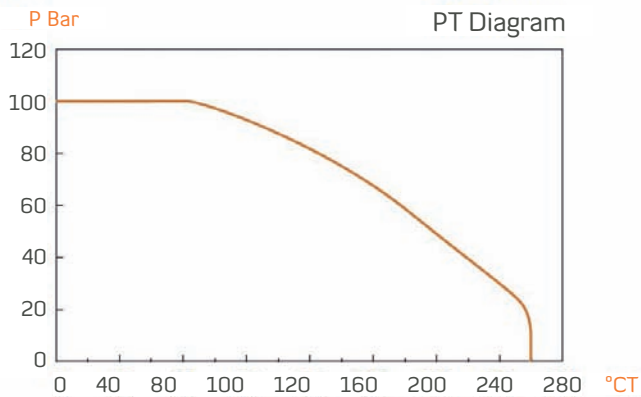


Installation

Easy to mount.

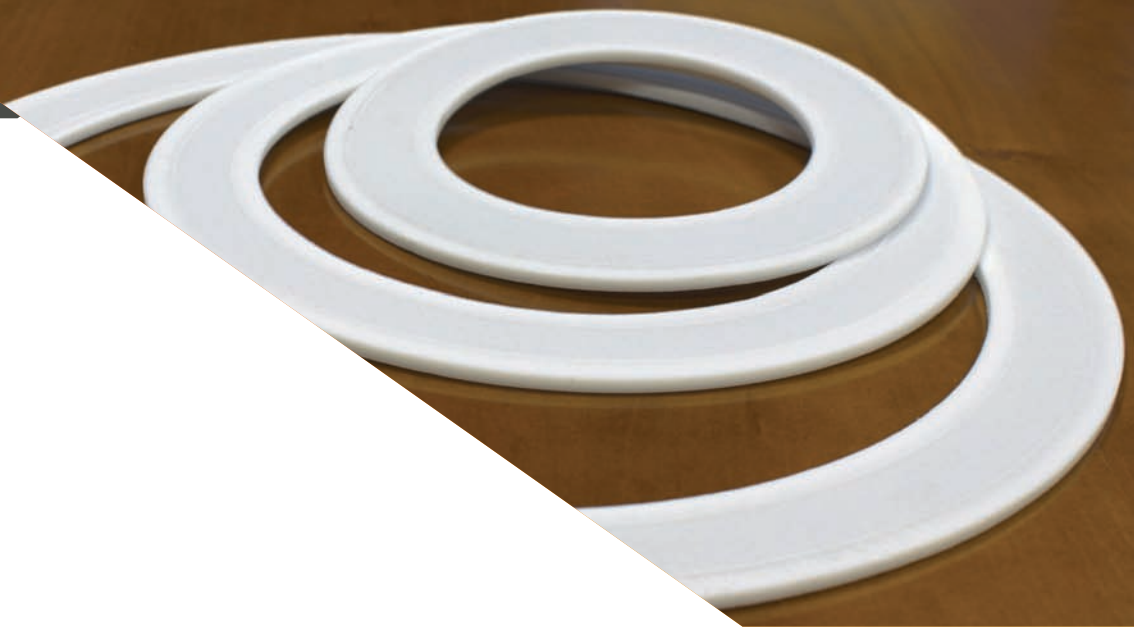
To achieve optimum efficiency and maximum service life, note the following recommended tightening torques (Nm) on flange fixing screws :

DN	Nm
25	20
40	20
50	27
65	34
80	41
100	47
125	54
150	60
200	68
250	75
300	82
350	95
400	102
450	108
500	115
600	122



Benefit from our stainless steel-lined gaskets:

- Excellent sealing over a wide range of pressures with a max of 100 bar.
- Compression is concentrated on the ridges enabling tight sealing under very low compression
- Temperature range: -200°C / +250°C
- Low permeability & water absorption
- self-lubricating
- Extra features on request (colour, name stamp, ...)
- On-Stock range in DIN and ASA as per table below.



Standard DIN/ASA executions

DIN2690 - ØD					
DN	Ød	PN10	PN16	PN25	PN40
6	10	38	38	38	38
8	14	43	43	43	43
10	18	45	45	45	45
15	22	50	50	50	50
20	28	60	60	60	60
25	35	70	70	70	70
32	43	82	82	82	82
40	49	92	92	92	92
50	61	107	107	107	107
65	77	127	127	127	127
80	90	142	142	142	142
100	115	162	162	168	168
125	141	192	192	195	195
150	169	218	218	225	225
200	220	273	273	285	292
250	274	328	330	342	353
300	325	378	385	402	418
350	368	438	445	458	475
400	420	490	497	515	547
450	470	540	557	565	572
500	520	595	618	625	628
600	620	695	735	730	745

ANSI - B - 16.21 - A			
NPS	Ød	150"	300"
1/2"	21	47	53
3/4"	27	57	66
1"	33	66	73
1 1/4"	42	76	82
1 1/2"	48	85	95
2"	60	104	111
2 1/2"	73	123	130
3"	89	126	149
3 1/2"	102	161	165
4"	114	174	180
5"	141	196	215
6"	168	222	250
8"	219	279	307
10"	273	339	361
12"	324	409	422
14"	356	450	485
16"	406	514	539
18"	457	549	596
20"	508	606	654
22"	559	660	704
24"	610	717	774

Contact:

Vanéflon

Industrieterrein Zwaarveld 12

9220 Hamme, België

Tel.: +32 (0)52 47 63 99

info@vaneflon.be

www.vaneflon.be



Steel lined gaskets

PTFE stainless steel lined gaskets consist of a perforated stainless steel insert uniformly enclosed by PTFE. The synergy between the highly corrosion resistant PTFE mantle and the perfectly centred rigid stainless steel insert give the gasket exceptional chemical and mechanical properties preventing cold-flow in a wide pressure-temperature range. In extreme applications they are highly recommended for use instead of normal PTFE envelope-gaskets.

Vanéflon's PTFE stainless steel gaskets are available in standard and custom sizes. They are blow-out proof and conform to TA-Luft VDI-2200 and 2400. We tailor the gaskets to your most demanding specifications using our in-house material knowledge and extensive production experience.

Vanéflon

Since 1976 Vanéflon produces high performance plastic semi-finished and machined parts. As a specialist in compression and hot-moulding in combination with high precision machining we offer tailor-made solutions for a wide range of industries. Our flexible, experienced and dedicated team stands in for customized material selection, engineering support and production thus guaranteeing consistent quality on every level. Modern machinery and continuous process optimization assure the cost-efficient execution of the most demanding tasks. Vanéflon's in-house expertise and high standards lead to reliable, flexible and cost-efficient solutions for demanding customers, who expect professional support, high quality products, fast response and short lead-times. Vanéflon is certified to ISO 9001 and offers various material certifications.